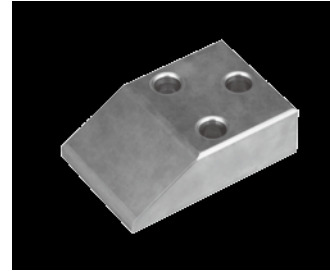
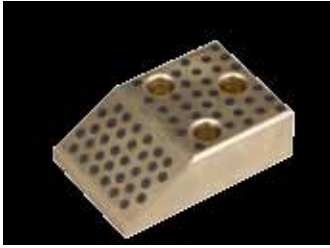
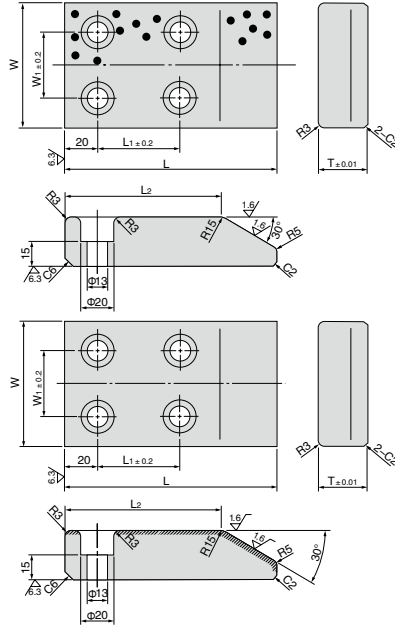


RCB-DSPW/DSPS 凸轮行程滑板

Oiless Wear Plate



DSPS	S45C
	钢基 + HRC≥55
DSPW	# 500SP + Graphite
	高力黄铜 + 石墨



单位unit:mm

Code 型号	W	L	T	W ₁	L ₁	L ₂
DSPW/DSPS-75×130	75	130	30	40	50	95
DSPW/DSPS-75×150		150	45		45	90
DSPW/DSPS-100×130	100	130	30	60	50	95
DSPW/DSPS-100×150		150	45		45	90
DSPW/DSPS-100×170		170	60		75	120
DSPW/DSPS-100×200	125	200	30	85	50	95
DSPW/DSPS-125×130		130	45		45	90
DSPW/DSPS-125×150		150	60		75	120
DSPW/DSPS-125×170		170	30		50	95
DSPW/DSPS-125×200	150	200	45	110	45	90
DSPW/DSPS-150×130		130	60		75	120
DSPW/DSPS-150×150		150	30		50	95
DSPW/DSPS-150×170		170	45		45	90
DSPW/DSPS-150×200		200	60		75	120